

FOLD-UP SHELVING UNITS

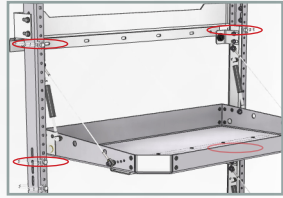


FOLD-UP SHELVING

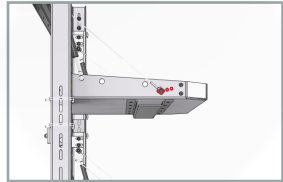
FOLD-UP SHELVING UNITS



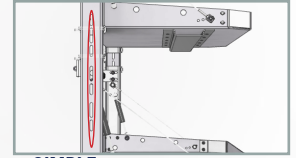
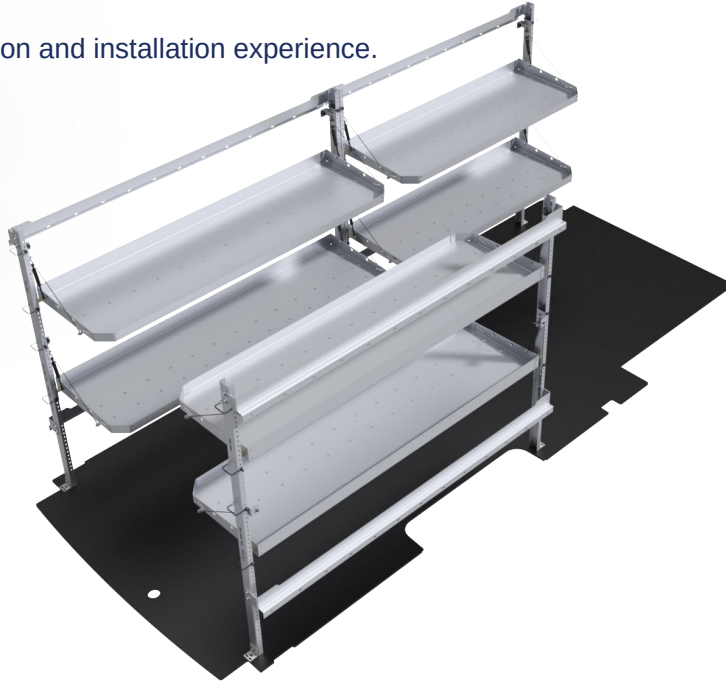
Our Fold-up Shelving units are fabricated with 5052-H32 .100" thick aluminium. They are lightweight, strong and sturdy. Our Square Quick-pin concept allows the user to easily and quickly adjust shelf height. Carefully designed with smart and functional features that are based upon 50 years of design, fabrication and installation experience.



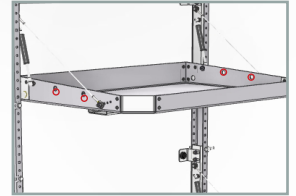
SIMPLE. Our quick-pin concept allows the user to easily and quickly adjust shelf height



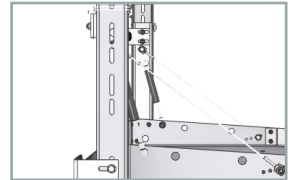
FLEXIBLE. Our unique pattern allows the user to keep the shelf in a declined position.



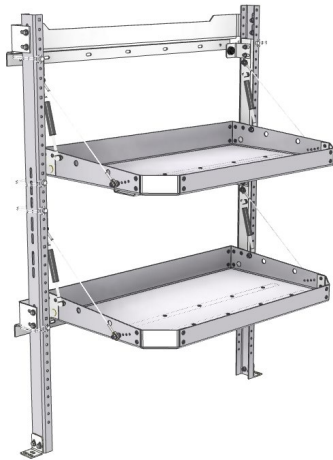
SIMPLE. Our Oblong pattern are designed to come up against all van structural components for easy install.



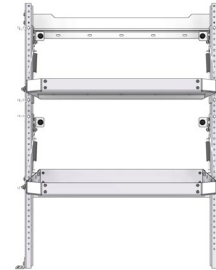
SAFE. a four hole pattern has been made so that the user can install bungee cords or anchoring straps for lighter packages



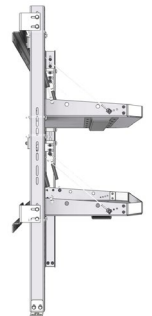
SMART. Our design incorporates 2 gas struts positioned strategically to allow them to assist you in opening deploying the shelf as well as applying tension to allow the shelf to remain in its closed position.



HIGH



WIDE



DEEP

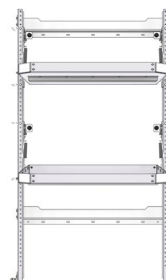
OPTIONS

PART NUMBER	DEEP (IN.)	WIDE (IN.)	HIGH (IN.)	18" SHELF	21" SHELF	WEIGHT (LBS.)	OPTIONS		
							BOTTLE SHELF	STD SHELF	STD SHELF LINER
26-3048-20	21	35	48	2	N/A	31.48	N/A	N/A	N/A

FOLD-UP SHELVING UNITS



HIGH



WIDE

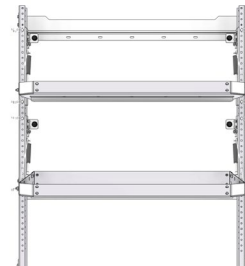


DEEP

							OPTIONS		
PART NUMBER	DEEP (IN.)	WIDE (IN.)	HIGH (IN.)	18" SHELF	21" SHELF	WEIGHT (LBS.)	BOTTLE SHELF	STD SHELF	STD SHELF LINER
26-3063-02	24	35	63	N/A	2	34.66	N/A	N/A	N/A



HIGH



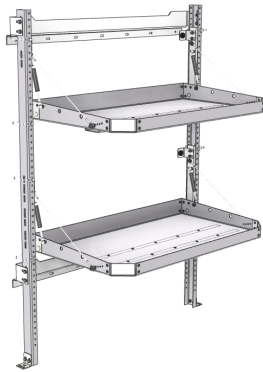
WIDE



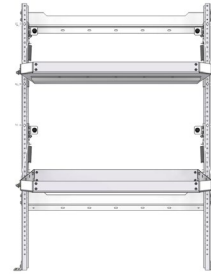
DEEP

							OPTIONS		
PART NUMBER	DEEP (IN.)	WIDE (IN.)	HIGH (IN.)	18" SHELF	21" SHELF	WEIGHT (LBS.)	BOTTLE SHELF	STD SHELF	STD SHELF LINER
26-4048-20	21	41	48	2	N/A	35.55	N/A	N/A	N/A

FOLD-UP SHELVING UNITS



HIGH



WIDE



DEEP

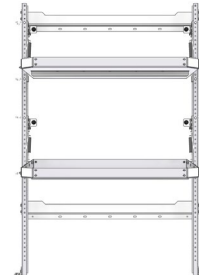
PART NUMBER	DEEP (IN.)	WIDE (IN.)	HIGH (IN.)	18" SHELF	21" SHELF	WEIGHT (LBS.)
26-4058-20	24	41	58	2	N/A	38.70
26-4058-02	21	41	58	N/A	2	36.32

OPTIONS

BOTTLE SHELF	STD SHELF	STD SHELF LINER
N/A	N/A	N/A
N/A	N/A	N/A



HIGH



WIDE



DEEP

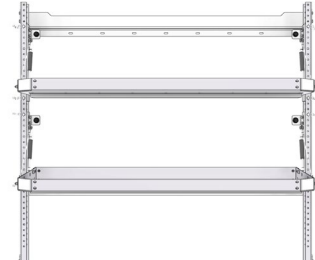
PART NUMBER	DEEP (IN.)	WIDE (IN.)	HIGH (IN.)	18" SHELF	21" SHELF	WEIGHT (LBS.)
26-4063-02	24	41	63	N/A	2	39.09

OPTIONS

BOTTLE SHELF	STD SHELF	STD SHELF LINER
N/A	N/A	N/A



HIGH



WIDE



DEEP

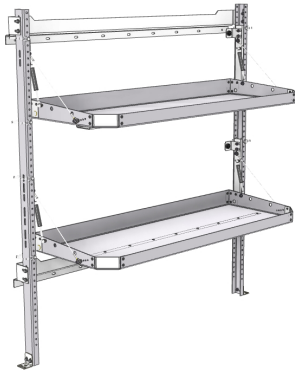
PART NUMBER	DEEP (IN.)	WIDE (IN.)	HIGH (IN.)	18" SHELF	21" SHELF	WEIGHT (LBS.)
26-5048-20	21	53	48	2	N/A	43.60

OPTIONS

BOTTLE SHELF	STD SHELF	STD SHELF LINER
N/A	N/A	N/A



FOLD-UP SHELVING UNITS



HIGH

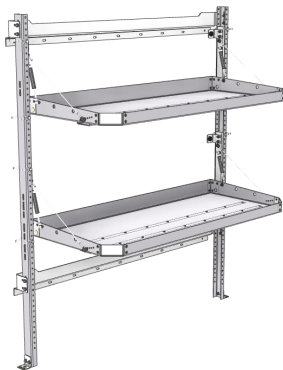


WIDE

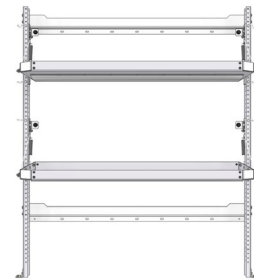


DEEP

							OPTIONS		
PART NUMBER	DEEP (IN.)	WIDE (IN.)	HIGH (IN.)	18" SHELF	21" SHELF	WEIGHT (LBS.)	BOTTLE SHELF	STD SHELF	STD SHELF LINER
26-5058-20	21	53	58	2	N/A	44.51	N/A	N/A	N/A



HIGH



WIDE



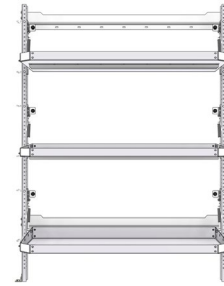
DEEP

							OPTIONS		
PART NUMBER	DEEP (IN.)	WIDE (IN.)	HIGH (IN.)	18" SHELF	21" SHELF	WEIGHT (LBS.)	BOTTLE SHELF	STD SHELF	STD SHELF LINER
26-5063-02	24	53	63	N/A	2	47.97	N/A	N/A	N/A

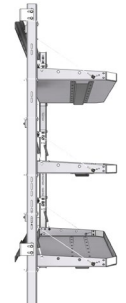
FOLD-UP SHELVING UNITS



HIGH



WIDE



DEEP

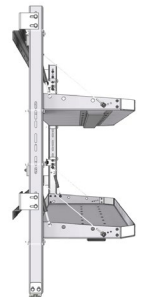
							OPTIONS		
PART NUMBER	DEEP (IN.)	WIDE (IN.)	HIGH (IN.)	18" SHELF	21" SHELF	WEIGHT (LBS.)	BOTTLE SHELF	STD SHELF	STD SHELF LINER
26-5072-03	24	53	72	N/A	3	66.57	N/A	N/A	N/A



HIGH



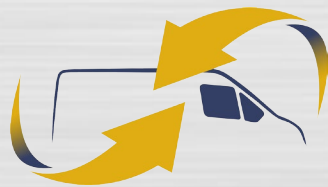
WIDE



DEEP

							OPTIONS		
PART NUMBER	DEEP (IN.)	WIDE (IN.)	HIGH (IN.)	18" SHELF	21" SHELF	WEIGHT (LBS.)	BOTTLE SHELF	STD SHELF	STD SHELF LINER
26-6048-20	21	63	48	2	N/A	50.23	N/A	N/A	N/A

FOLD-UP SHELVING UNITS



HIGH



WIDE



DEEP

OPTIONS

PART NUMBER	DEEP (IN.)	WIDE (IN.)	HIGH (IN.)	18" SHELF	21" SHELF	WEIGHT (LBS.)
26-6058-20	21	63	58	2	N/A	51.29

BOTTLE SHELF	STD SHELF	STD SHELF LINER
N/A	N/A	N/A



HIGH



WIDE



DEEP

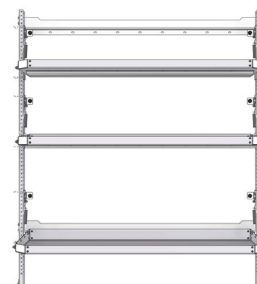
OPTIONS

PART NUMBER	DEEP (IN.)	WIDE (IN.)	HIGH (IN.)	18" SHELF	21" SHELF	WEIGHT (LBS.)
26-6063-20	21	63	63	2	N/A	51.55
26-6063-30	21	63	63	3	N/A	70.71
26-6063-02	24	63	63	N/A	2	55.33

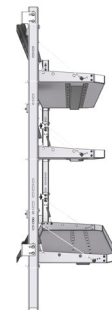
BOTTLE SHELF	STD SHELF	STD SHELF LINER
N/A	N/A	N/A
N/A	N/A	N/A
N/A	N/A	N/A



HIGH



WIDE



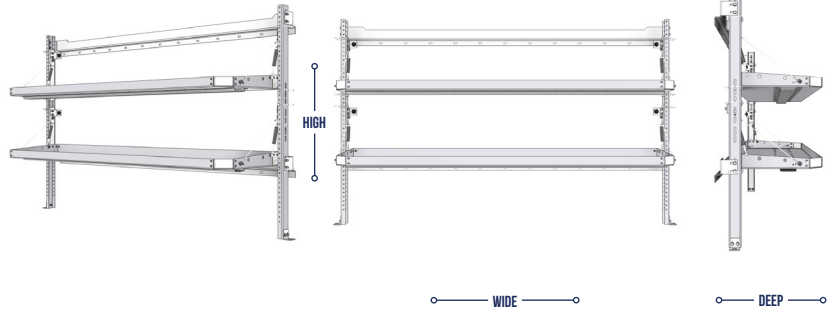
DEEP

OPTIONS

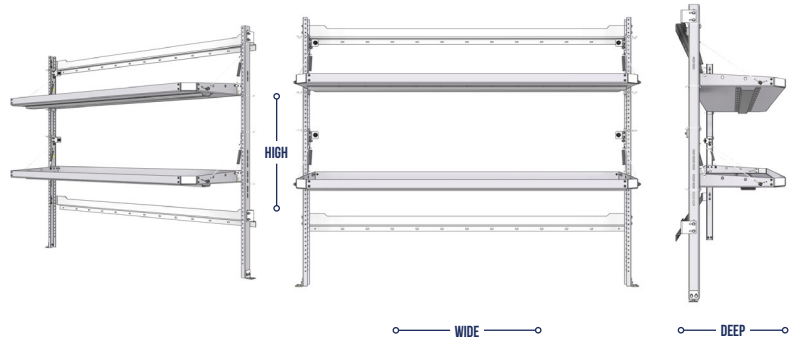
PART NUMBER	DEEP (IN.)	WIDE (IN.)	HIGH (IN.)	18" SHELF	21" SHELF	WEIGHT (LBS.)
26-6072-21	24	63	72	2	1	73.42

BOTTLE SHELF	STD SHELF	STD SHELF LINER
N/A	N/A	N/A

FOLD-UP SHELVING UNITS

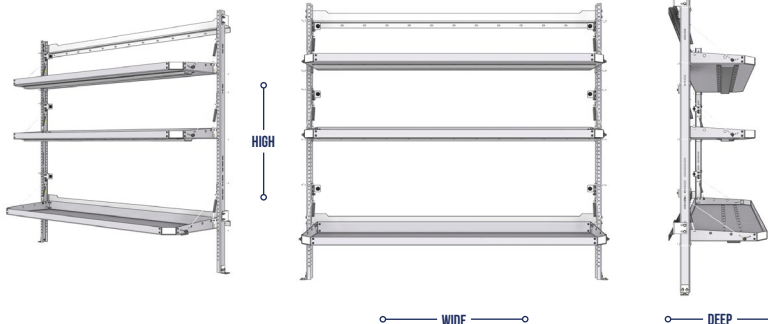
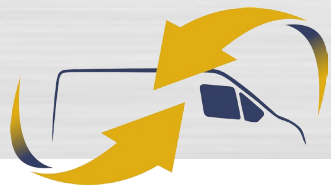


							OPTIONS		
PART NUMBER	DEEP (IN.)	WIDE (IN.)	HIGH (IN.)	18" SHELF	21" SHELF	WEIGHT (LBS.)	BOTTLE SHELF	STD SHELF	STD SHELF LINER
26-7048-20	21	77	48	2	N/A	59.94	N/A	N/A	N/A



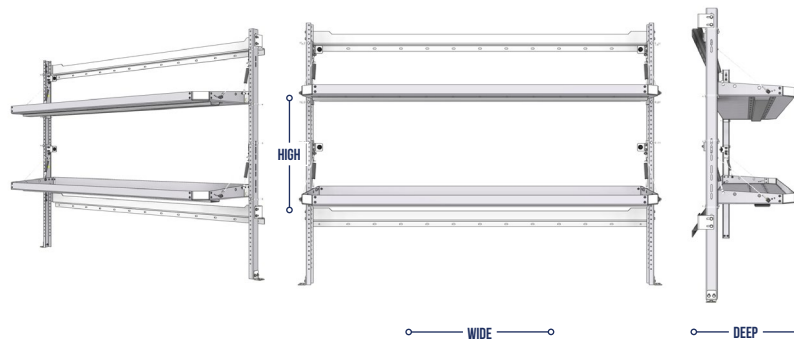
							OPTIONS		
PART NUMBER	DEEP (IN.)	WIDE (IN.)	HIGH (IN.)	18" SHELF	21" SHELF	WEIGHT (LBS.)	BOTTLE SHELF	STD SHELF	STD SHELF LINER
26-7063-30	21	77	63	3	N/A	84.25	N/A	N/A	N/A
26-7063-02	24	77	63	N/A	2	65.69	N/A	N/A	N/A
26-7063-03	24	77	63	N/A	3	90.95	N/A	N/A	N/A

FOLD-UP SHELVING UNITS



PART NUMBER	DEEP (IN.)	WIDE (IN.)	HIGH (IN.)	18" SHELF	21" SHELF	WEIGHT (LBS.)
26-7072-30	21	77	72	3	N/A	84.94
26-7072-21	24	77	72	2	1	87.37

OPTIONS		
BOTTLE SHELF	STD SHELF	STD SHELF LINER
N/A	N/A	N/A
N/A	N/A	N/A



PART NUMBER	DEEP (IN.)	WIDE (IN.)	HIGH (IN.)	18" SHELF	21" SHELF	WEIGHT (LBS.)
26-7058-20	21	77	58	2	N/A	60.84

OPTIONS		
BOTTLE SHELF	STD SHELF	STD SHELF LINER
N/A	N/A	N/A